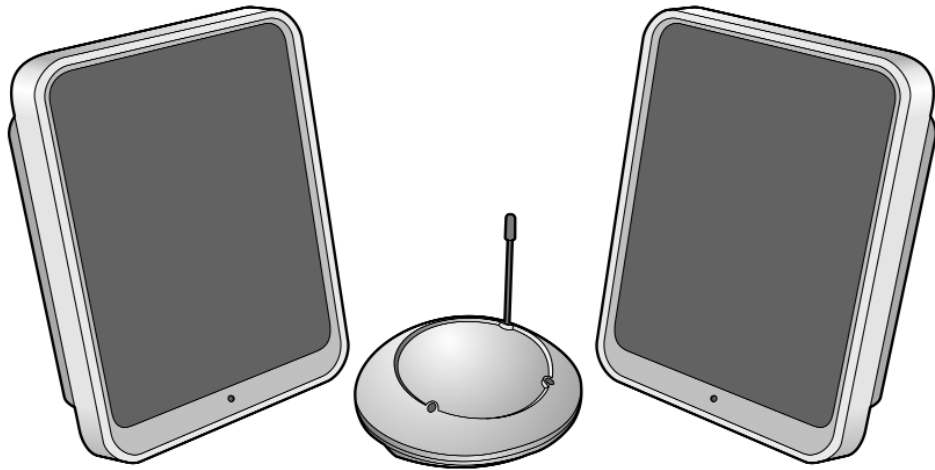


Connected Essentials

WIRELESS STEREO SPEAKER SYSTEM



Owner's Manual

Introduction

This stereo wireless speaker system uses the latest wireless technology that enables you to enjoy music and TV sound anywhere inside or outside your home. You can simply connect the system to any audio source such as Radio, TV, VCR, Hi-Fi and CD/MP3/VCD/DVD player without complicated wiring and installation. You'll enjoy thrilling, lifelike sound stereo sound in minutes.

Features

- 863 MHz RF technology speaker system giving an operating distance of up to 100m (in ideal conditions) with no line of sight limitation – giving you virtually interference-free stereo quality sound reproduction.
- Phase Lock Loop (PLL) technology on transmitter to maintain accurate tuning of your system
- RF technology lets you roam freely throughout your house, garden (within stated operating distance).
- Auto tuning function – speakers will scan for best signal from your receiver.
- Bass boost function – enhance the bass sound depending on your own music preferences
- Add additional speaker sets to the one transmitter – ideal for surround sound systems

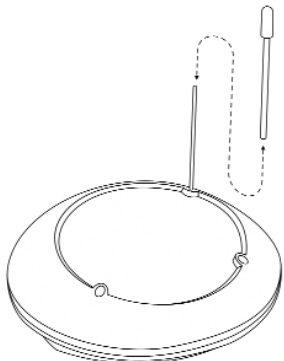
Contents

- 2 x Speakers • Transmitter • 3 x mains adapters • Aerial tube
- 6.3mm stereo adapter & 3.5mm to left/right RCA phono plugs • Owners manual

Getting Started

Setting Up The Transmitter

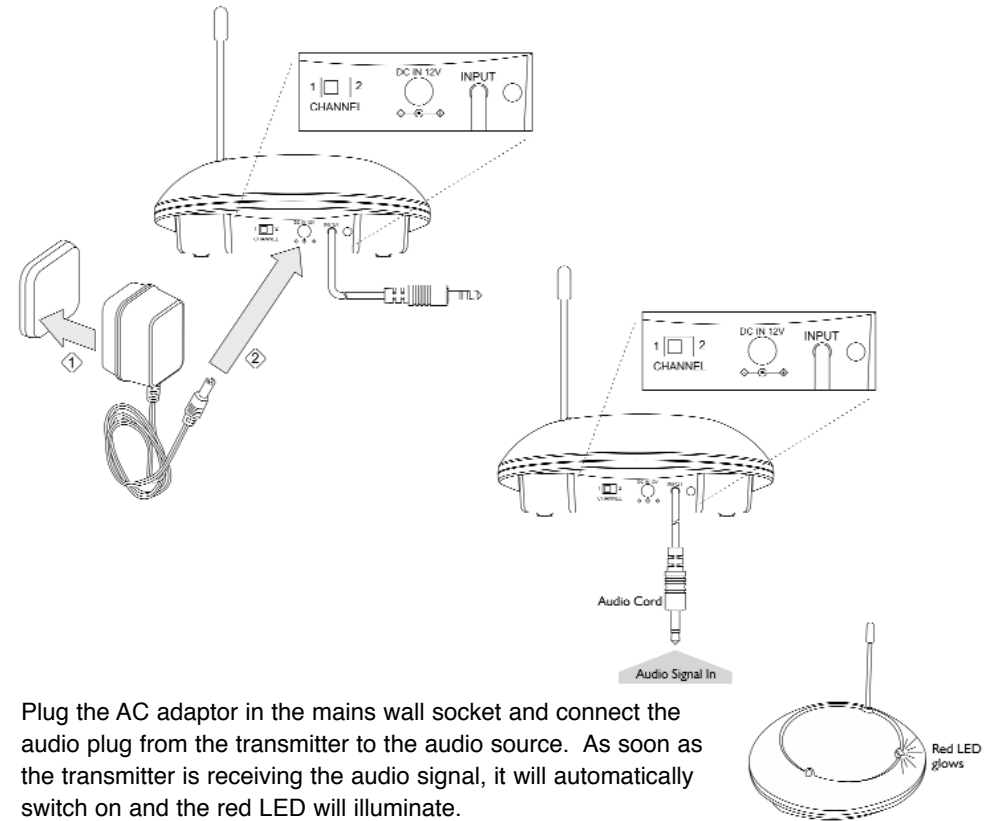
1. Insert the antenna wire into the antenna tube.



2. Plug the supplied AC power adaptor into an electrical wall socket.
3. Plug the AC power adaptor in the input socket located on the rear of the transmitter.
4. The rear of the transmitter has an audio cord that can be plugged into the audio output socket of a TV, monitor, video, radio recorder, CD/MP3/VCD or /DVD players or to any 3.6mm

headphone/earphone socket with the connector provided. If your system has a 6.3mm socket or stereo outputs please use the additional adaptors provided

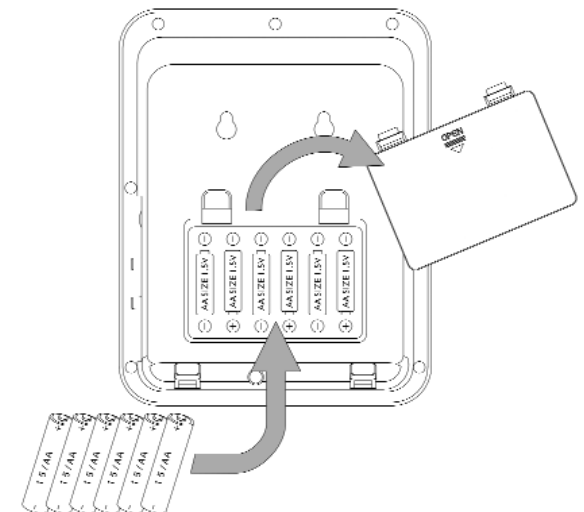
2



Setting Up The Speakers

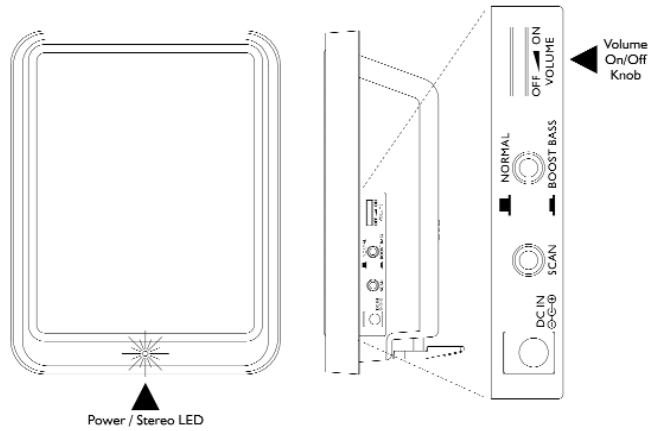
1. The speakers can be powered by batteries (not supplied) or from a mains volt supply.

- If using batteries Insert 6 x 'AA' size ALKALINE batteries into each of the speakers battery compartments. Ensure the correct polarity is used when inserting the batteries.
- If using the supplied 12V power adaptor connect the power adaptor to the DC input jack on the rear of each speaker, then plug it to the wall AC outlet.



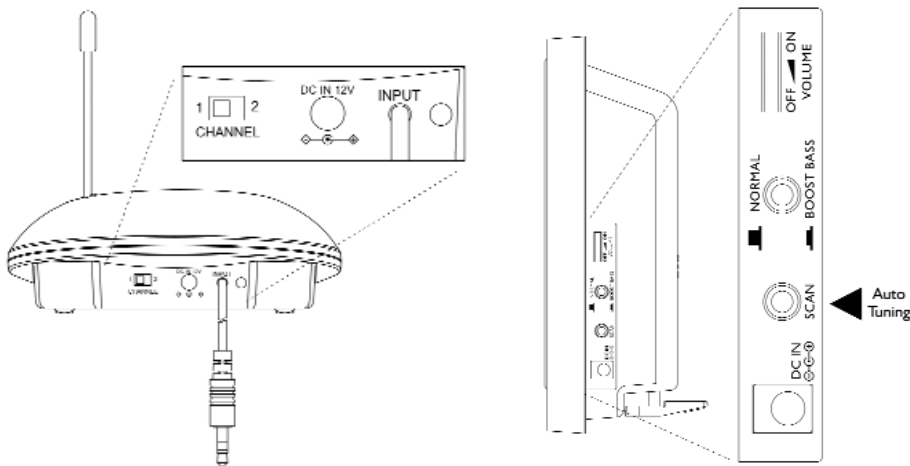
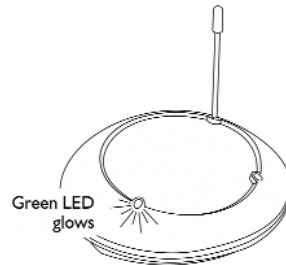
3

2. Switch on the speaker by turning up the VOLUME ON/OFF knob towards the ON direction. The POWER/STEREO LED will light up. Switch off the speaker by turning down the VOLUME ON/OFF knob towards the OFF direction until a “click” sound is heard.



OPERATION

1. Turn on the audio source (TV or audio component) to which the transmitter is connected to. The LED on the transmitter will light up.
2. Select the channel 1 or 2 on the transmitter. You may need to try each one in turn for the best performance in your location.
3. Turn on the ON/OFF VOLUME knob on the speakers and adjust the volume to the desired listening level.

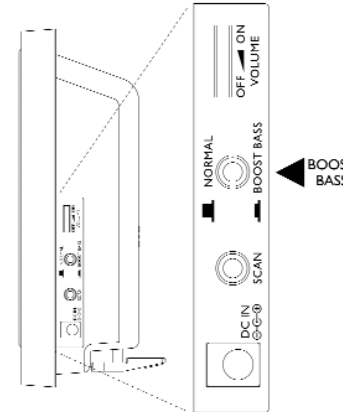


4. Push the “SCAN” auto-tuning button to get the best tuning reception for the speakers.

When the button is pressed, frequency tuning starts automatically and it stops when a signal is detected. The POWER/STEREO LED will change from red to green.

Tips for Clear Reception

- A). Keep a distance of up to 7 meters between the transmitter and the speakers, and then press “SCAN” auto-tuning button for best tuning reception.
- B) If you hear interference, move the channel selector switch from one channel to the other (there are two channels for selection) on the transmitter, and then press the “SCAN” auto-tuning button again.



Bass Boost

The BASS BOOST button can be used to enhance the bass sound depending on your own music preferences. Turn on the bass boost effect by pressing the BASS BOOST button down. Turn it off by pressing the button again.

Note

You should now be able to move the speakers freely from room to room without interference. Should there be any interference (the signal

breaks, cuts off or carries distortion), press the speaker’s “SCAN” auto-tuning button to maximize the best reception.

If you hear interference from other components, you can re-adjust the tuning by changing between either channel 1 or, 2 of the transmitter, then pressing “SCAN” auto-tuning button for best reception.

The signal from the system will become weaker when transmitting / receiving over longer distances. Remember, the maximum range of 100 metres is in ideal conditions. Walls, furniture and so on between the transmitter and speaker(s) will reduce the transmission range.

Switching off

1. Turn the VOLUME ON/OFF knob until the click sound is heard to turn off the speaker and the LED light goes off
2. For protection of the transmitter and power saving, the transmitter will cut off automatically if there is no or a weak signal from the audio source for 4 minutes. The transmitter will work again automatically when the signal improves..

Trouble Shooting

Please ensure you have set your system up using the guidelines in this manual.

Some common problems are also listed below.

NO SOUND

No sound may be caused by one or more of the following:

- No power - Ensure the AC adaptor is fully inserted into the main splug socket and to the power connection input on the transmitter and speakers.
- Not switched on - ensure the speakers are switch ON.
- Speaker's battery capacity is too low -, replace with new batteries or connect the AC adaptors to the speakers.
- No source - ensure your connected audio equipment is ON and is operational.
- The volume of speakers is too low - adjust the volume to an appropriate level.

DISTORTED SOUND

- Need to re-scan - press the "AUTO-TUNE" button on the speakers until a clear sound is heard.
- Need to change channels - change the position of the channel selector on the transmitter and then press the "AUTO TUNE" button on the speakers.
- Battery capacity is too low - replace with new batteries or use the supplied AC adapters.
- Ensure the volume level of speakers is adjusted properly.
- The speakers are too far away from the transmitter, move them closer.
- The input level of the audio signal is too low. Turn up the volume of the audio source equipment.

If you are still having trouble with your system, you can call our help line on 0871 2002276 (Mon-Fri, 9.00am – 5.30pm, except public holidays, calls are charged at national rate).

SPECIFICATIONS

Transmission Mode	:	UHF stereo
Carrier Frequency	:	863 MHz
Operation Voltage	:	Transmitter, DC 12V 200mA Speaker, 6 X 'AA' size Alkaline batteries or DC 12V 500mA adaptor
Frequency Response	:	20Mz - 13KHz
Distortion	:	1.5%
S/N Ratio	:	50dB
Channel Separation	:	30dB
Operation Distance	:	Up to 100M (Open Area)

Warning :

Changes or modifications to this unit not expressly approved by the party responsible for compliance could void the user's authority to operate the equipment. Operation is subject to the following two conditions: (1) this device may not cause interference, and (2) this device must accept any interference, including interference that may cause undesired operation of the device.

The device must be used accompany with the provided AC/DC adapter.

The provided AC/DC adapter shall always remain readily operable.

Please use the device in normal indoor environment.

The ventilation should not be impeded by covering the ventilation openings with items such as newspapers, table-cloths, curtains, etc.

This device shall not be exposed to dripping or splashing.

No objects filled with liquids, such as vases, should be placed on or near this device.

Licence

This Connected Essentials RF product conforms with the European R&TTE directive for RF systems in harmonised frequency ranges. These systems may be sold and operated in the EU and in EFTA countries.

Operation is not permitted in countries not named.

The declaration of conformity is available from [www..easidirect.co.uk](http://www.easidirect.co.uk)

WEEE Directive

Directive 2002/96/EC OF THE EUROPEAN PARLIAMENT AND COUNCIL OF 27th January 2003 on waste electrical equipment.

Products that include the WEEE symbol, show below, should not be placed in the normal house hold rubbish, but should be disposed of using the appropriate WEEE disposal facility. These facilities may be advised to you by your local council or the organization from which the product(s) was purchased.

For the latest information on the WEEE Directive please access the following url <http://www.dti.gov.uk/sustainability/weee> or telephone Envirowise on 0800 585794



