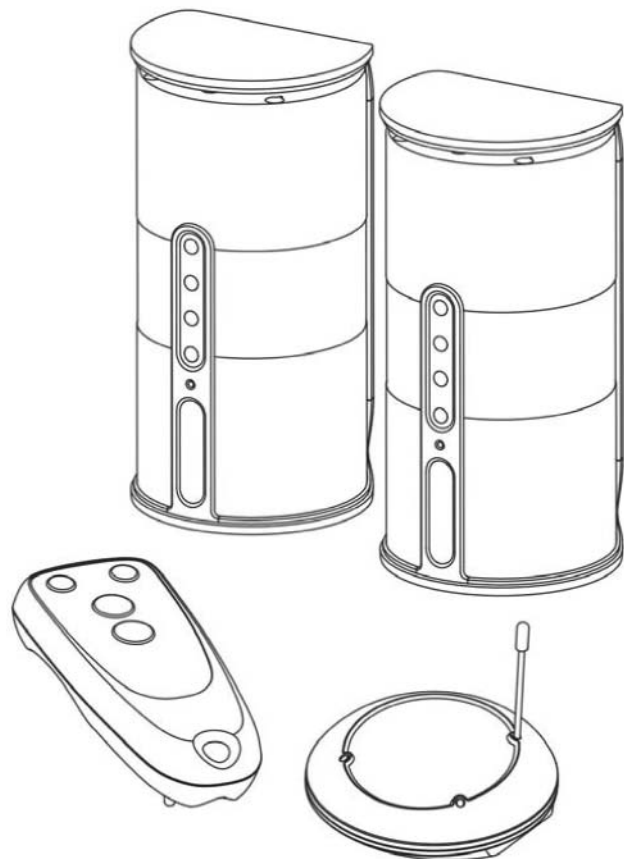


Connected Essentials

Splash-proof Wireless Speaker System



User's Manual

Introduction

This splash-proof wireless speaker system uses latest wireless technology that enables you to enjoy music and TV sound anywhere inside or outside your home. You can simply connect the system to any audio source such as Radio, TV, VCR, Hi-Fi and CD/MP3/VCD/DVD player without complicated wiring or installation. You'll be to enjoying thrilling, lifelike stereo sound in minutes.

Features

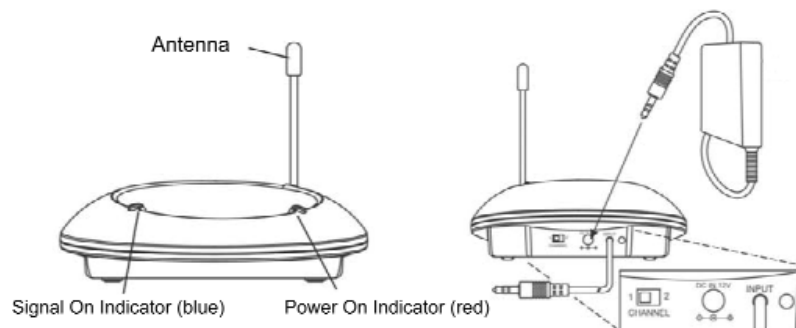
- Weatherproof indoor and outdoor speakers.
- Automatic Phases Lock Loop (PLL) scanning system on speaker receivers
- Phase Lock Loop (PLL) transmission system on transmitter
- 863 MHz RF technology speaker system giving an operating distance of up to 100m (in ideal conditions) With no line of sight limitation – giving you high quality sound reproduction
- RF technology lets you roam freely throughout your house, garden (within stated operating distance).
- Auto ON/OFF control.
- Remote control unit.
- Wall-mountable.
- Add additional speaker sets to the one transmitter – ideal for surround sound systems.

Contents

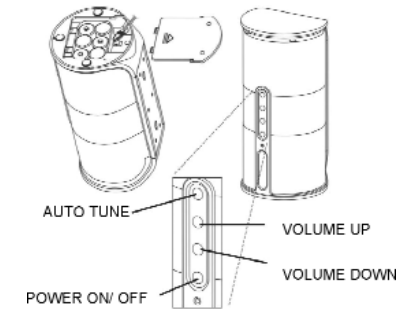
- 2 x Speakers • Transmitter • 3 x mains adapters • Owners manual
- Aerial tube • 6.3mm stereo adapter & 3.5mm to left/right RCA phono plugs

What's on the equipment

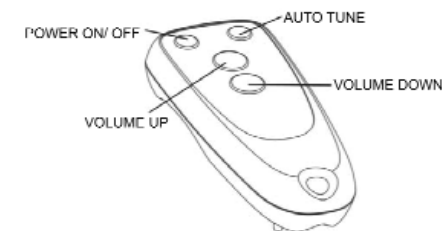
Transmitter – connects to your audio equipment and transmits the audio signal to the speakers



Speaker receivers – receives and broadcasts the audio signal to the speakers.



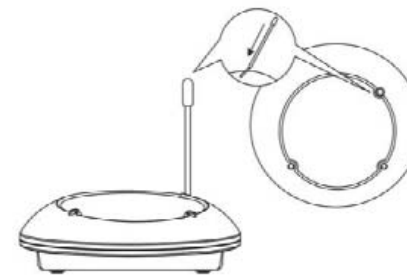
Remote Control – allows you to control the speakers wirelessly



Getting Started

Setting Up The Transmitter

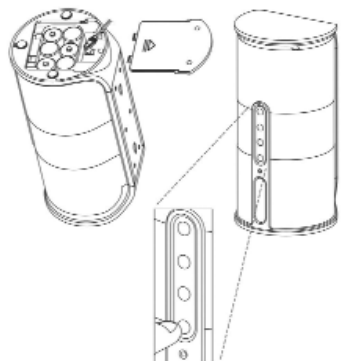
1. Insert the antenna wiretube into the antenna tube wire.
2. Plug Connect the supplied AC power adaptor into an electrical wall socket.
3. Plug the AC power adaptor in the input socket DC jack located on the rear of the transmitter.
4. When the AC adapter is plugged in, the red POWER LED illuminates. If the red POWER LED does not illuminate, make sure the adapter is plugged in and the wall socket is switched on.
5. The rear of the transmitter has an audio cord that can be plugged into the audio output socket jack of a TV, Monitor, Video, Radio recorder, CD/MP3/VCD or /DVD players or to any 3.6mm headphone/earphone socket with the connector provided. If your system has a 6.3mm socket or stereo outputs please use the additional adaptors provided.



When the transmitter receivesd an audio signal, the blue SIGNAL LED and the red POWER LED will illuminate together. If the blue SIGNAL LED does not illuminate, ensure the audio source is turned on and the transmitter is connected.

Setting Up The Speaker Receivers

1. Speakers can be powered by batteries (not supplied) or from the mains.

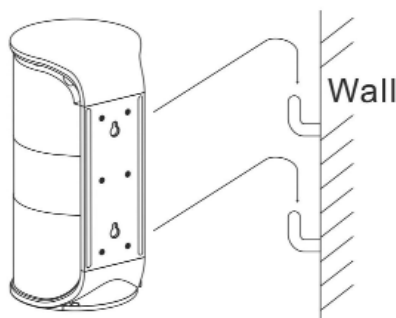


•If using batteries, Insert 6 x 'C' size ALKALINE batteries into each of the speakers battery compartments, ensure with the correct polarity is used when inserting the batteries.

•or connect the supplied 9V power adaptor to the DC input jack on the bottom of each speaker, then plug it to the wall AC outlet.

2. Press On/Off button and turn the speakers ON. The POWER LED will light up in Blue. To switch off the speakers press the ON/OFF button on the speakers or on the remote control unit, and the LED will switch off.

3. These speakers also have the added advantage of being wall mountable. There are two holes at the back of each speaker for you to hang them on the wall. (Be sure to use suitable hanging brackets or screws)



NOTE: WALL MOUNTING TEMPLATE ON THE BACK PAGE OF THE MANUAL?

Setting Up the Remote Control

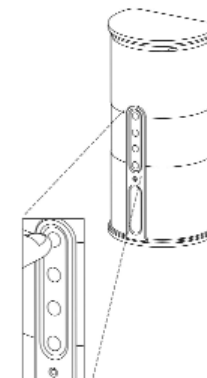
1. Remove the battery cover at the rear of the remote control unit and insert 2 x "AAA" size batteries (included) into the battery compartment following the correct polarity.
2. Replace the cover and close the battery compartment.

Operation

1. Switch on the audio source (TV or audio component) to which the transmitter is connected to. The blue signal LED on the transmitter will light up.
2. Select transmitter channel 1 or 2. You may need to try each one in turn for the best performance in your location.
3. Turn on the ON/OFF button on the speakers (the ON/OFF button on the remote control unit cannot be used as a primary device to switch on the speakers). Press the "AUTO TUNE" button to get the best tuning reception in the speakers. When the button is pressed, frequency tuning starts automatically and it stops when a signal is detected.

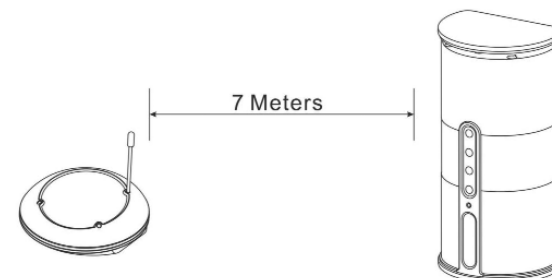
The tuning process can also be activated by pressing the "AUTO TUNE" button on the remote control unit.

4. Volume can be adjusted up by pressing the "+" button or down by pressing the "-" button "-" to the desired listening level, or you can press the "+" button or "-" button" on the remote control unit to adjust the volume level.



Tips for Clear Reception

a) Keep a distance of the speakers up to 7 meters apart from the transmitter, and then press "AUTO TUNE" button for the best reception.



b) If you get interference, move your channel switch from one channel to the other channel (there are two channels for selection) on the transmitter, and then press the "AUTO-TUNE" button again.

Note

You should now be able to moveplace the speakers freely from room to room without interference. Should there be any interference (signal cuts off or carries distortion), press the speaker's "AUTO TUNE" button to maximise the best reception.

If you hear interference from other components, switch on the channel control of transmitter, and then move the speakers to other free location. You can re-adjust the tuning control by changing between either channel 1 or 2 of the transmitter, then pressing "AUTO TUNE" button on the each speaker for best reception.

The signal from the system will become weaker when transmitting / receiving over longer distances. Remember, the maximum range of 100 metres is in ideal conditions. Walls, furniture and so on between the transmitter and speaker(s) will reduce the transmission range.

Switching Off

Press the ON/OFF button to turn off the speakers and the LED light will goes off, or simply press the ON/OFF button on the remote control unit. If you use the remote control unit to turn off the speakers, the speakers will be at stand-by mode for 5 minutes and the LED

will change from blue to yellow. You can switch on the speakers again by using the remote control unit during the stand-by time. If there is no signal from the remote control unit in 5 minutes, the speakers will automatically power off.

Remember that the speakers have an AUTO OFF function for the protection of the transmitter and for power saving, the transmitter will cut off automatically if there is no/weak operation input signal from the audio source for 4 minutes. However if the signal comes back then the transmitter will power on and begin to work again automatically.

WARNING:

THE SUPPLIED POWER ADAPTORS ARE FOR INDOOR USE ONLY. IF THE SPEAKERS ARE BEING USED IN A DAMP ENVIRONMENT, THE SPEAKERS SHOULD ONLY BE OPERATED BY BATTERY

This device must be used with the AC/DC adapters supplied in the package.

Trouble Shooting

Please ensure you have set your system up using the guidelines in this manual. Some common problems are also listed below.

NO SOUND

No sound may be caused by one or more of the following:

- No Power - Ensure the AC/DC adaptor is fully inserted into the mains plug socket and to the power connection input on the transmitter and speakers.
- Not Switched on - Ensure the speakers are switch ON.
- If using batteries the capacity may be too low - replace with new batteries or use the supplied AC adaptors.
- No source - Ensure your connected your the TV or audio component is switched ON and is operational.
- The volume of speakers is too low - adjust the volume to an appropriate level.

DISTORTED SOUND

Distorted sound may be caused by one or more of the following:

- Need to re-scan - Press the "AUTO-TUNE" button on the speakers until a clear sound is heard.
- Need to change channels - Change the position of the channel selector on the transmitter and press the "AUTO TUNE" button on the speakers.
- Battery capacity is too low - Replace with new batteries or use the supplied AC adaptors.
- Ensure the volume level of speakers is adjusted properly.
- The speakers are too far away from the transmitter, move them closer.
- The input level of the audio signal is too low. Turn up the volume of the audio source equipment.

If you are still having trouble with your system, you can call our help line on 0871 2002276 (Mon-Fri, 9.00am – 5.30pm, except public holidays, calls are charged at national rate).

Specifications

Transmission Mode	: UHF
Carrier Frequency	: 863 MHz Digital Hybrid
Operation Voltage	: Transmitter, DC 12.5V 150mA Speakers, 6 X 'C' size Alkaline batteries or DC 9V 1.5A adaptor Remote Control Unit, 2 X 'AAA' size batteries
Frequency Response	: 40Hz – 12KHz
Distortion	: 1%
S/N Ratio	: 65dB (typical)
Operation Distance	: Up to 100 meters
Speakers	: 2-way
Output Power	: 2 x 5 Watts

Warning: Changes or modifications to this unit not expressly approved by the party responsible for compliance could void the users authority to operate the equipment. Operation is subject to the following two conditions: (1) this device may not cause interference, and (2) this device must accept any interference, including interference that may cause undesired operation of the device.

Further information can be found at www.easidirect.co.uk

Licence

This Connected Essentials RF product conforms with the European R&TTE directive for RF systems in harmonised frequency ranges. These systems may be sold and operated in the EU and in EFTA countries. Operation is not permitted in countries not named. The declaration of conformity is available from www.easidirect.co.uk

WEEE Directive

Directive 2002/96/EC OF THE EUROPEAN PARLIAMENT AND COUNCIL OF 27th January 2003 on waste electrical equipment.

Products that include the WEEE symbol, show below, should not be placed in the normal house hold rubbish, but should be disposed of using the appropriate WEEE disposal facility. These facilities may be advised to you by your local council or the organization from which the product(s) was purchased. For the latest information on the WEEE Directive please access the following url <http://www.dti.gov.uk/sustainability/weee> or telephone Envirowise on 0800 585794



